

Plasterboard plug GKD & GKDZ

Advantages



GKD made of nylon (glass-fibre reinforced)



GKDZ made of zinc die casting

- Suitable for fixings in gypsum boards
- Quick installation (no predrilling) for light loads
- Usable with chipboard screws or wood screws; GKDZ also with metric screws M4
- If the screw is longer than the plug (GKD or GKDZ), it simply screws through the tip of the plug

Suitable building materials

Very suitable



- Plasterboard/
Fibreboard

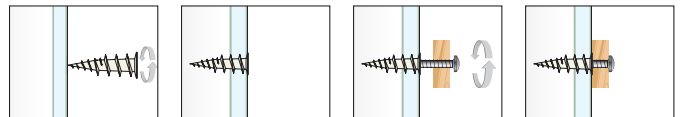
Suitable to a limited extent

- Gypsum fibreboards

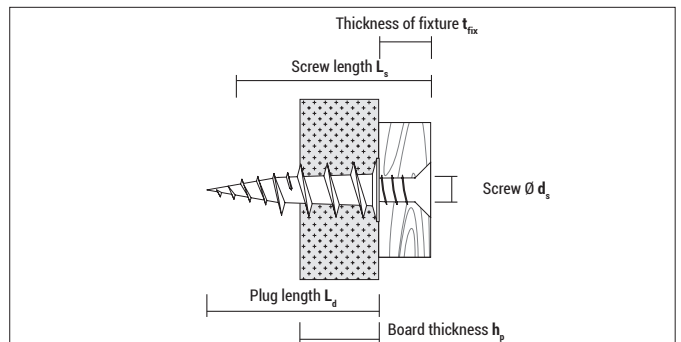
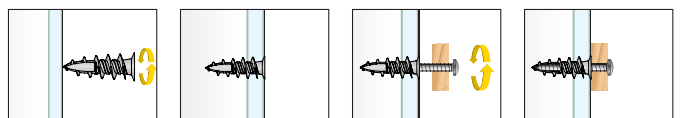
Approvals and certificates



Mounting GKD



Mounting GKDZ



CELO



GKD without screw, plug recess: PH 2

Type	Art-No	L_d [mm]	$h_{p,max}$ [mm]	$d_{s,min-max}$ [mm]	$L_s \geq$ [mm]	€ / 100 pcs	[pcs]	[pcs]
GKD	9GKD	35	9-12,5	3,0 - 4,5	$22 + t_{fix}$		50	2.400



GKD with screw 4,0 x 40, plug recess: PH 2

Type	Art-No	L_d [mm]	$h_{p,max}$ [mm]	$d_s \times L_s$ [mm]	$t_{fix} \leq$ [mm]	€ / 100 pcs	[pcs]	[pcs]
GKD PZ	9GKDPZ	35	9-12,5	4,0 x 40	18		50	2.400



GKDZ without screw, plug recess: PH 2 / PZ 2

Type	Art-No	L_d [mm]	$h_{p,max}$ [mm]	d_s [mm]	$L_s \geq$ [mm]	€ / 100 pcs	[pcs]	[pcs]
GKDZ 37*	937GKDZ	37	9	4,5	$19 + t_{fix}$		100	2.700
GKDZ 37	937GKDZ50	37	9	4,5	$19 + t_{fix}$		50	2.400

* Craftsman pack (box without viewing window)



GKDZ with screw 4,5 x 35, plug recess: PH 2 / PZ 2

Type	Art-No	L_d [mm]	$h_{p,max}$ [mm]	$d_s \times L_s$ [mm]	$t_{fix} \leq$ [mm]	€ / 100 pcs	[pcs]	[pcs]
GKDZ 37 PZ	937GKDZPZ50	37	9	4,5 x 35	16		50	2.400



Blister GKD without screw

Type	Art-No	L_d [mm]	$h_{p,max}$ [mm]	$d_{s,min-max}$ [mm]	L_s [mm]	€ / Blister	[pcs]	[Blister]
GKD	5GKD10	35	9-12,5	3 - 4,5	$22 + t_{fix}$		10	10



Blister GKD with screw

Type	Art-No	L_d [mm]	$h_{p,max}$ [mm]	$d_s \times L_s$ [mm]	Type of screw	€ / Blister	[pcs]	[Blister]
GKD PZ	5GKDPZ6	35	9-12,5	4,0 x 40			6	10



Blister GKDZ without screw

Type	Art-No	L_d [mm]	$h_{p,max}$ [mm]	d_s [mm]	L_s [mm]	€ / Blister	[pcs]	[Blister]
GKDZ 37	537GKDZ10	37	9	4,5	$19 + t_{fix}$		10	10



Blister GKDZ with screw

Type	Art-No	L_d [mm]	$h_{p,max}$ [mm]	$d_s \times L_s$ [mm]	Type of screw	€ / Blister	[pcs]	[Blister]
GKDZ 37 PZ	537GKDZS26	37	9	4,5 x 35			6	10

Loads F_{rec}

Type	Plasterboard $h_p = 12,5$ mm F_{rec} [kN]	Plasterboard $h_p \geq 2 \times 12,5$ mm F_{rec} [kN]
GKD	0,07	-
GKDZ	0,08	0,16

F_{rec} : Recommended loads incl. safety factor of 4