

CRYSTAL SGN LED

CRYSTAL SGN LED is a low power LED luminaire designed for emergency escape lighting installed inside buildings. Depending on the mounting type allows for the surface, suspended or recessed installation. Its main task is to indicate escape routes by means of internally illuminated evacuation signs in the ISO 7010 standard.

CRYSTAL SGN LED is compatible with all emergency lighting systems offered by HYBRYD.

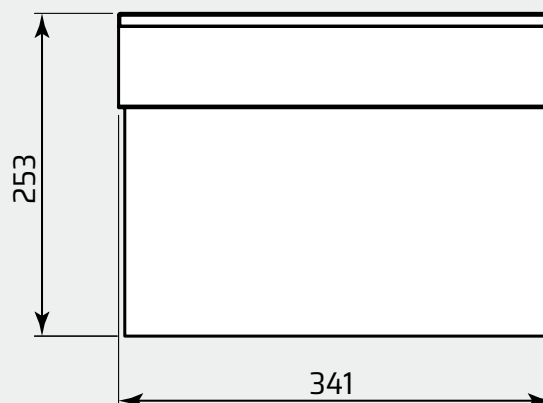


IP20
IP40



Safety sign visibility:

30x15cm  30m



LUMINAIRE FEATURES

- Luminaire shows the directions of escape
- LED indicators signalling the luminaire state
- Deep discharge battery protection
- Maintained/non-maintained, switched maintained or night (hotel) operation mode
- Installation inside the building
- Housing is made of steel, lamp shade of PMMA
- A lot of mounting types.

TECHNICAL DATA

Supply voltage	ST, AT, CT	230V AC 50/60Hz
	CB	230V AC 50/60Hz 80-275V DC
	CBAM	230V AC 50/60Hz 170-275V DC
	LVAM	15-32V DC
Protection class	ST, AT, CT, CB, CBAM	I
	LVAM	III
Ingress protection		IP20, IP40 ¹⁾
Light source		LED strip ²⁾
Light colour temperature		5000K
Light source supply power		1W
Light source lifespan		> 50 000h
Battery type / voltage		Ni-Cd, Ni-MH / 4,8V

Battery capacity		1,0; 1,6Ah
Battery charging time		< 24h
Emergency operation time		1h, 3h
Ambient temperature	ST, AT, CT	+5 - +40°C; TE: ³⁾ -20 - +40°C
	CB, CBAM	-10 - +55°C; TE: ³⁾ -25 - +65°C
	LVAM	-25 - +70°C
Supply cable cross-section area		0,5 - 2,5mm ²
Supply cable diameter		≤ 13mm
Communication cable diameter	CT	≤ 7mm
Suitable for through wiring		YES
Suitable for surface wiring		YES

¹⁾ Depends on mounting type; ²⁾ Non-exchangeable, but serviveable light source;
³⁾ TE – extended temperature range

AVAILABLE SYSTEMS

STANDARD - (ST) tests commissioned manually

AUTOTEST - internal components, battery and light source tests being performed automatically

CENTRALTEST - internal components, battery and light source tests being performed on command from the main unit of central management system

CB - luminaire supplied from HVCBS (230V AC / 216V DC / 108V DC), without address module

CBAM - luminaire supplied from the HVCBS (230V AC / 216V DC), with built-in address module

LVAM - luminaire supplied with 24V DC from the LVDBS system, with built-in address module

MATERIAL

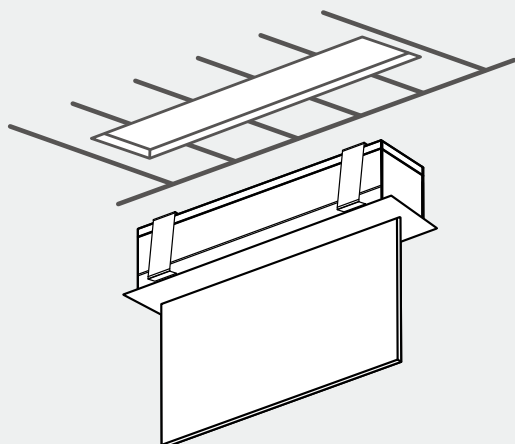
Housing material - steel

Housing colour - ○ RAL 9003, other colours on special order

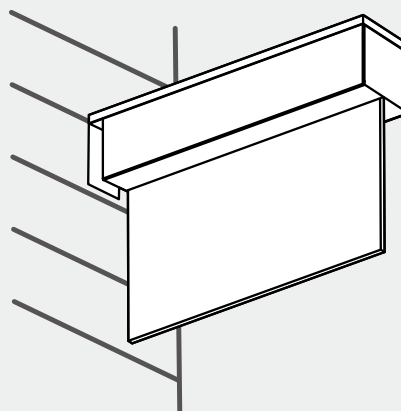
Lamp shade material - PMMA

MOUNTING TYPE

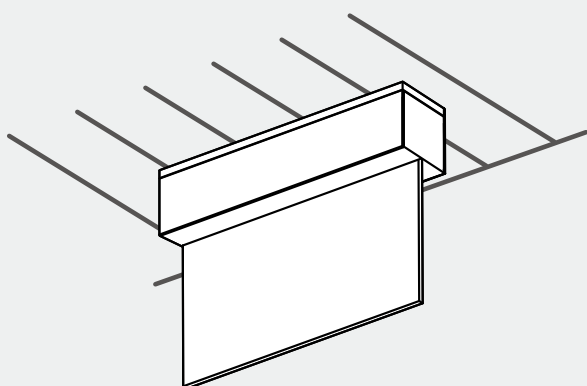
C5 - recessed



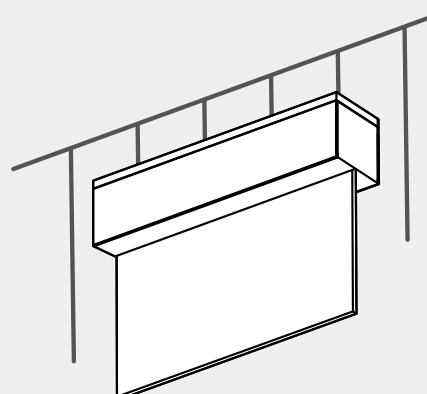
W3 - side to the wall



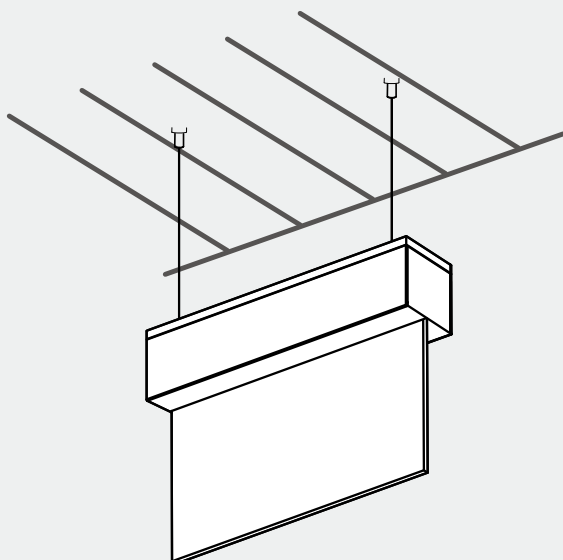
C6 - directly to the ceiling



W4 - back to the wall
















C7 - flexible suspended
















SAFETY SIGNS

Signs visible on both sides

Signs visible on one side only

P04	
PI05	
PI06	
PI15	
PI17	
PI18	
PI21	
PI22	
PI23	
PI24	
PI25	
PI26	
PI27	

P04/00	
PI05/00	
PI06/00	
PI15/00	
PI17/00	
PI18/00	
PI21/00	
PI22/00	
PI23/00	
PI24/00	
PI25/00	
PI26/00	
PI27/00	

ORDERING

CRYSTAL SGN LED 0000 - EN - AT - 3h - NM - TS - 9003 - FT - C6 - S

System variant:

ST - standard

AT - autotest

CT - centraltest

CB - centrally supplied luminaire

CBAM - centrally supplied luminaire, with address module

LVAM - centrally low voltage supplied luminaire, with address module

Emergency operation time:

1h - emergency operation time of 60 minutes

3h - emergency operation time of 180 minutes

X - not applicable (CB, CBAM, LVAM)

Operation mode:

NM - non-maintained

SM - switched maintained

N - night (available only for CT operation mode)

X - not applicable (CB, CBAM, LVAM)

Ambient temperature range:

TS - standard ambient temperature range

TE - extended ambient temperature range

Housing colour:

9003 - RAL 9003

... - other on special order

Mounting type:

C5 - recessed

C6 - directly to the ceiling

C7 - flexible suspended

W3 - side to the wall

W4 - back to the wall

Safety sign:

... - see table „SAFETY SIGNS“

S - set of safety signs

NOP - plate without safety sign

X - without PC plate