



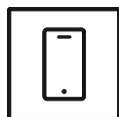
Type: Panoramic - IP - Camera
Item Code: GU-CI-AP20527Q
EAN CODE: 4260573064960

SMART

The SMART product line offers comprehensive coverage of modern video systems with advanced AI analysis and solutions for various application areas.

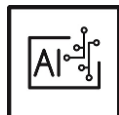
Highlights

Smartphone App



The mobile application was developed to facilitate operators in effectively controlling and managing video systems remotely, at any time. It allows for live image viewing, playback of recorded video data, and receipt of remote notifications.

Deep Learning



Deep Learning is inspired by the complex structure of the human brain. This innovative method allows processing of information and performing corresponding actions based on analysis.

Object Classification



This technology employs a highly advanced deep learning algorithm that can discern whether the alarm was triggered by a human, a vehicle or some other object.

Features

- Audio Communication & Alarm Input / Output
- IP Camera with 4 x 5 MP movable lens = 20 Megapixel in total
- 0 Lux: Integrated LED IR Illuminator viewable distance up to 30m

NDA compliant

GRUNDIG Security's SMART line is fully compliant with the National Defense Authorization Act (NDAA), which prohibits U.S. federal agencies and their partners from using video surveillance and telecommunications equipment or services from certain Chinese companies. This law is part of the John S. McCain NDAA and is effective August 2020.

With our SMART product line, you can be confident that your security system complies with this important regulation. Our products meet the highest standards of quality and reliability, providing you with the security you need to protect your assets and personnel.

Specifications GU-CI-AP20527Q**Camera**

Image Sensor:	1/2.7" progressive Scan CMOS
Resolution (MP):	20 MP
Video Resolution:	2880 x 1620
Sensitivity Colour:	0.006 Lux @ F1.2 (AGC ON)
Sensitivity B/W:	0 Lux LED IR on
Shutter Speed:	1/5 ~ 1/20000 s
White Balance:	Auto, Manual

Lens

Lens Focal Length:	4 x movable lenses 2.8 ~ 12 mm motorized, autofocus
Iris F-Number:	F1.3
Lens Mount:	Ø16.7
Lens Drive Type:	Auto Iris (DC)
Field of View:	112° ~ 35° (horizontal), 58° ~ 20° (vertical), 137° ~ 41° (diagonal)

Illuminator

Max. IR Distance:	Up to 30 m
-------------------	------------

Video

Col/B&W:	On, Off, Auto, IR-cut filter removable (ICR)
Wide Dynamic Range:	120 dB
Image Enhancement:	BLC, 3D DNR, Defog, HLC
Day/Night Switch:	Support auto, scheduled, day, night
Privacy zones:	4 zones, rectangle

Audio

Audio Compression:	G.711
--------------------	-------

General

Log File Support:	Events, macros, changes, activities per user (not erasable by resetting the camera to factory settings)
DRI Range:	Detection Range: 56 ~ 240 m Observe Range: 22.4 ~ 96 m Recognition Range: 11.2 ~ 48 m Identification Range: 5.6 ~ 24 m The DORI (detect, observe, recognize, identify) distance gives the general idea of the camera ability to distinguish persons or objects within its field of view. It is calculated based on the camera sensor specification and the criteria given by EN 62676-4: 2015.
Reset Button:	yes
Accessories included:	Wall mount bracket, Power supply

Frame Rate

Main Stream:	50 Hz: 25 fps (2880 x 1620, 2592 x 1520, 2304 x 1296, 1920 x 1080, 1280 x 720) 60 Hz: 30 fps (2880 x 1620, 2592 x 1520, 2304 x 1296, 1920 x 1080, 1280 x 720)
Sub- Stream:	50 Hz: 25 fps (1280 x 720, 640 x 480, 320 x 240) 60 Hz: 30 fps (1280 x 720, 640 x 480, 320 x 240)
3rd Stream:	50 Hz: 25 fps (640 x 480, 320 x 240) 60 Hz: 30 fps (640 x 480, 320 x 240)

Network

Video Compression:	H.264, H.264+, H.265, H.265+ , MJPEG
Region of Interest:	8 fixed regions for each stream
H.264 code profile:	Baseline Profile / Main Profile / High Profile
Bit Rate:	8 Kbps to 8 Mbps
SD Memory:	Built-in Micro SD up to 512 GB, NAS (Support NFS, SMB/CIFS)
Web Browser:	Plug-in required live view: IE10/IE11 Non Plug-in live view: Chrome 57+, Mozilla Firefox 52+, EDGE 89+ Local Service: Chrome 57+, Firefox 52+, EDGE 89+
Network Protocol:	TCP/IP, HTTP, HTTPS, FTP, DHCP, DNS, DDNS, RTP, RTSP, NTP, UPnP, SMTP, SNMP, 802.1X, IPv4/IPv6, PPPoE
Cyber Security:	2 levels of user management: admin, user, AES Encryption for Password Protection, password change prompt at first startup, Complicated Password, HTTPS (SSL) Login Authentication, Basic and digest authentication for HTTP/HTTPS, 802.1X authentication , (EAP-LEAP), 802.1X authentication (EAP-TLS), Watermark, IP Adress Filter, WSSE and digest authentication for ONVIF, SNMP V2 , SNMP V3, TLS 1.0, TLS 1.1, Brute Force Delay Protection of 300s after 5 login attempts, Signed Firmware, Secure Boot by hardware check

I/O Interface

Audio Input/Output:	1-ch audio input and 1-ch audio output
Alarm Input/Output:	2 inputs, 2 outputs (up to 30 VDC 2 A)
Network Interface:	1x 10, 100, 1000 Base T, TX (RJ-45)

Intelligent Functions

People & Vehicle Detection:	Adjustable whether people, motorized or non-motorized vehicles should be detected.
Intrusion Detection:	Enter and loiter in a pre-defined virtual region
Line Crossing:	Cross a pre-defined virtual line with target classification Pedestrian and or Motor vehicle can be configured.
Region Entrance:	Enter a pre-defined virtual region from the outside place
Region Exiting:	Exit from a pre-defined virtual region
Unattended Baggage:	Objects left over in the pre-defined region such as the baggage, purse, dangerous materials
Object Removal:	Detects objects left over or lost in the pre-defined region such. In this case an alarm notification or signal will be sent automatically and in real time.
Object Counting:	Entrance and Exit of people number is accounted and shown on screen in real time
Face Detection:	Face recognition in real time and instantly match them against a watchlist
License Plate Recognition:	Detects and recognizes car number plates. (Data- import- export function, actions can be triggered via the allowed, blocked and other list, only supported with insert SD-Card).
Heat Map:	Visualizes the number of people in the surveillance area over a period of time with a simple and user-friendly color scheme
Queue Length Detection:	Counts people in a predefined area and measures service time. The area, the maximum number of people in it and the maximum service time can be set
Crowd Density Detection:	Counts people in a predefined area. The area, the maximum number of people in it can be set
Tamper Protection:	Scene change and defocus
Limits of intelligent functions:	Only one of the AI functions can be selected at a time

Intelligent Functions

Event Source:	Video tampering, network disconnected, IP address conflicted, motion, various AI functions, sudden audio increase-decrease
Event Action:	Recording: Pre-event, post-event memory card and/or network storage. Picture upload: FTP, HTTP. Trigger E-mail notification: white light alarm, alarm output and notification to C-WERK VMS. Events are depending on schedule settings.

Approvals

Protection Rating:	IP67 (IEC 60529-2013), IK10 (IEC 62262:2002), NEMA 4X (NEMA 250-2018)
Regulation:	CE, FCC, RoHS Compliant
Standard:	ONVIF (Profile S, Profile G, Profile T, Profile M), SDK/API
MTBF at 25° C:	>60.000 hours

Environmental

Operating Temperature:	-30 °C ~ +55 °C (-22 °F ~ 131 °F)
Humidity:	Less than 95%, non condensing

Electrical

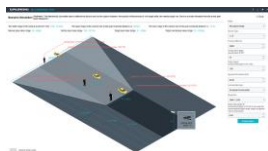
Supply Voltage:	12 VDC, 24 VAC, Hi-PoE (IEEE 802.3bt)
Power Consumption:	Max. 30 W

Mechanical

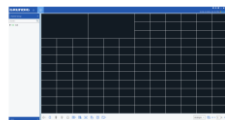
Material:	Aluminium alloy
Mount:	Four flexible lens in one track, slide range -60° to 60°, tilt: 0° to 90°, rotate 0° to 355°
Dimensions:	Ø 300 × 195 mm (Ø 11.8 × 7.7 inch)
Weight:	5000 g (11.03 lb.)

Packaging

Package Dimensions:	500 x 395 x 385 mm (19.7 x 15.6 x 15.2 inch)
Package Weight:	9000 g (19.8 lbs)
Packaging Unit:	1

Accessories

GU-SW-INST-TOOL



GU-SW-VMS



GU-SW-IP-FINDER



GU-SW-PLAYER



GD-HW-SD-128GB



GD-HW-SD-256GB



GD-BR-AMA01



GD-BR-AMA01



GD-BR-AMC04



GD-BR-AMP01



GD-BR-AMP04



GD-BR-AMP06

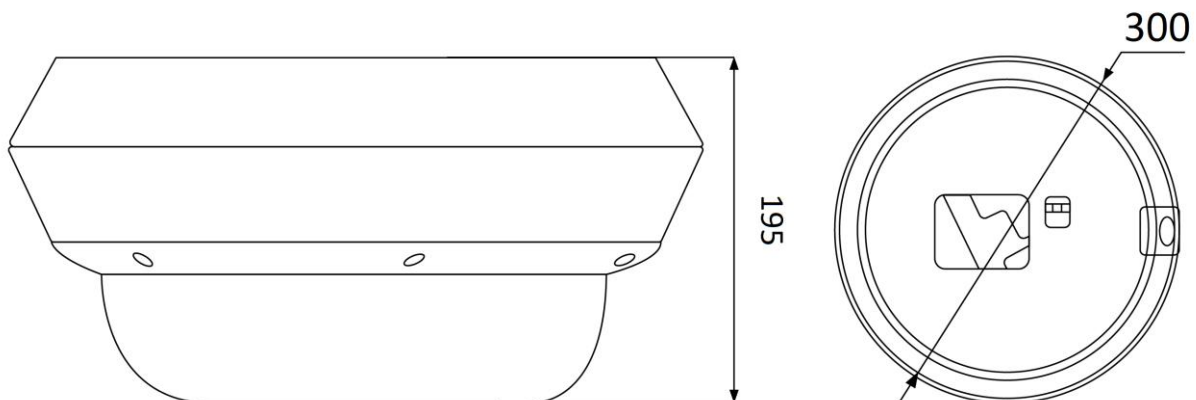


GD-BR-AMW09



GD-BR-AWJ03

Dimensions



Smart Line

In addition to the usual reliability, the SMART product line from GRUNDIG Security offers numerous image analysis functions, supported by artificial intelligence (AI). For example, use the LPR function to recognize license plates or facial recognition to identify people. Or reduce the number of false alarms by classifying objects as 'Vehicle', 'Person' or 'Other'. GRUNDIG Security's SMART cameras are able to detect people in crowds, count the number of heads and measure the length of queues, e.g. B. to be determined in the checkout area. In this way, they help you to use your resources optimally. They also inform you if unauthorized people cross predefined lines or enter certain areas.

Guarantee

All cameras in the "SMART", "PRO" and "PREMIUM" product lines have an extended warranty period of 5 years on electronic parts, mechanical wear and tear on moving parts is not included. Please note our general delivery terms and conditions.